



ULTRALIGHT
PNEUMATIC GRIPS
TENSILE TESTS

Model Mini MDN/0.1-V-Ko (1 piston) (100 N)

Model Mini MDN/0.1-P-2Ko (2 pistons) (100 N)

Model Mini MDNs/0.1-V-Ko (1 piston) (100 N)

Model Mini MDNs/0.1-P-2Ko (2 pistons) (100 N)

Very light weight pneumatic clamping grips, easy to use and applicable to perform **tensile tests** on **small samples** of very light sheet materials incorporated into a Universal Testing Machine

GENERAL INFORMATION

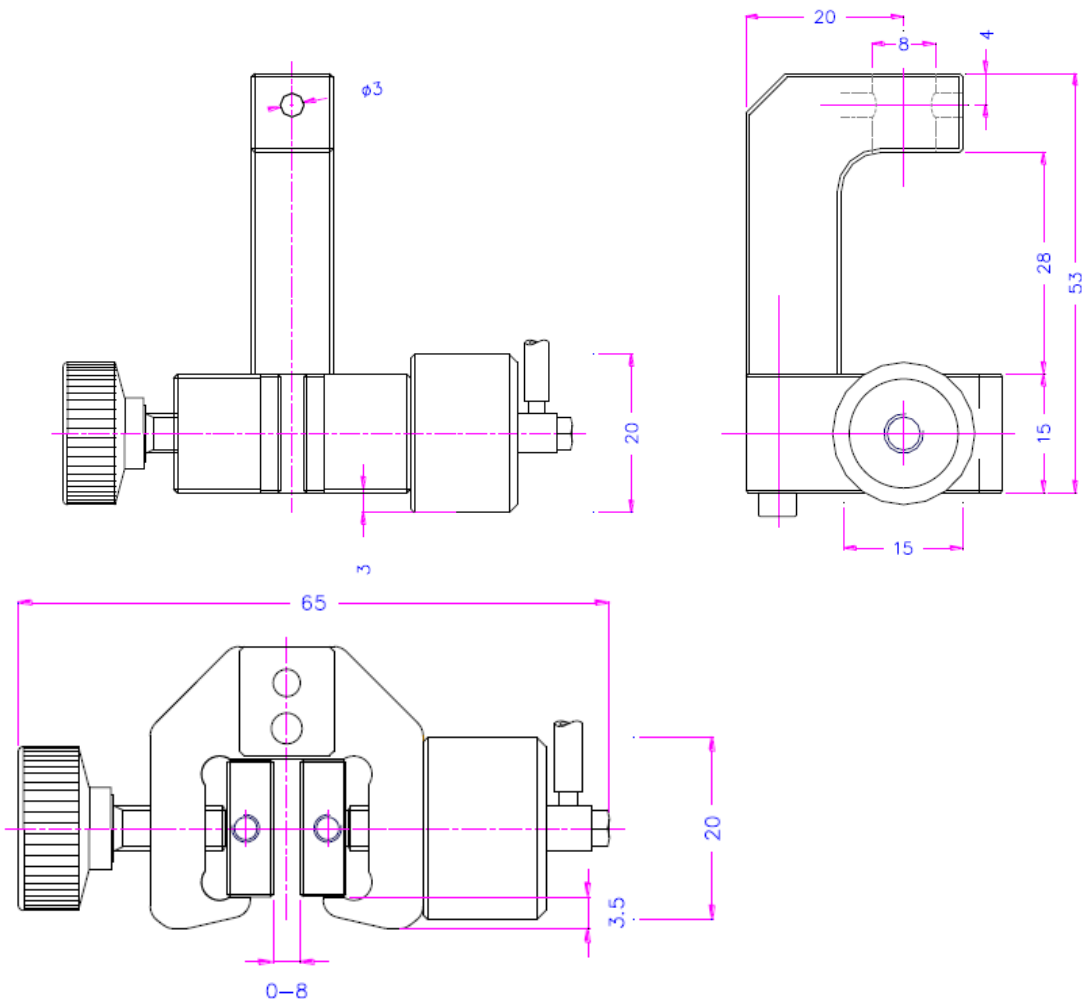
Easy-to-use pneumatic grips, designed for tensile testing of low-resistance sheet materials.

In the standard supply, 4 jaws with a minced surface finish are included with the jaws, and depending on the material to be tested (paper - Cardboard - Film - Fabrics - Threads - Foils ...) these grips can be equipped with other types of jaws with other surface finishes on the faces to be able to test different types of materials.

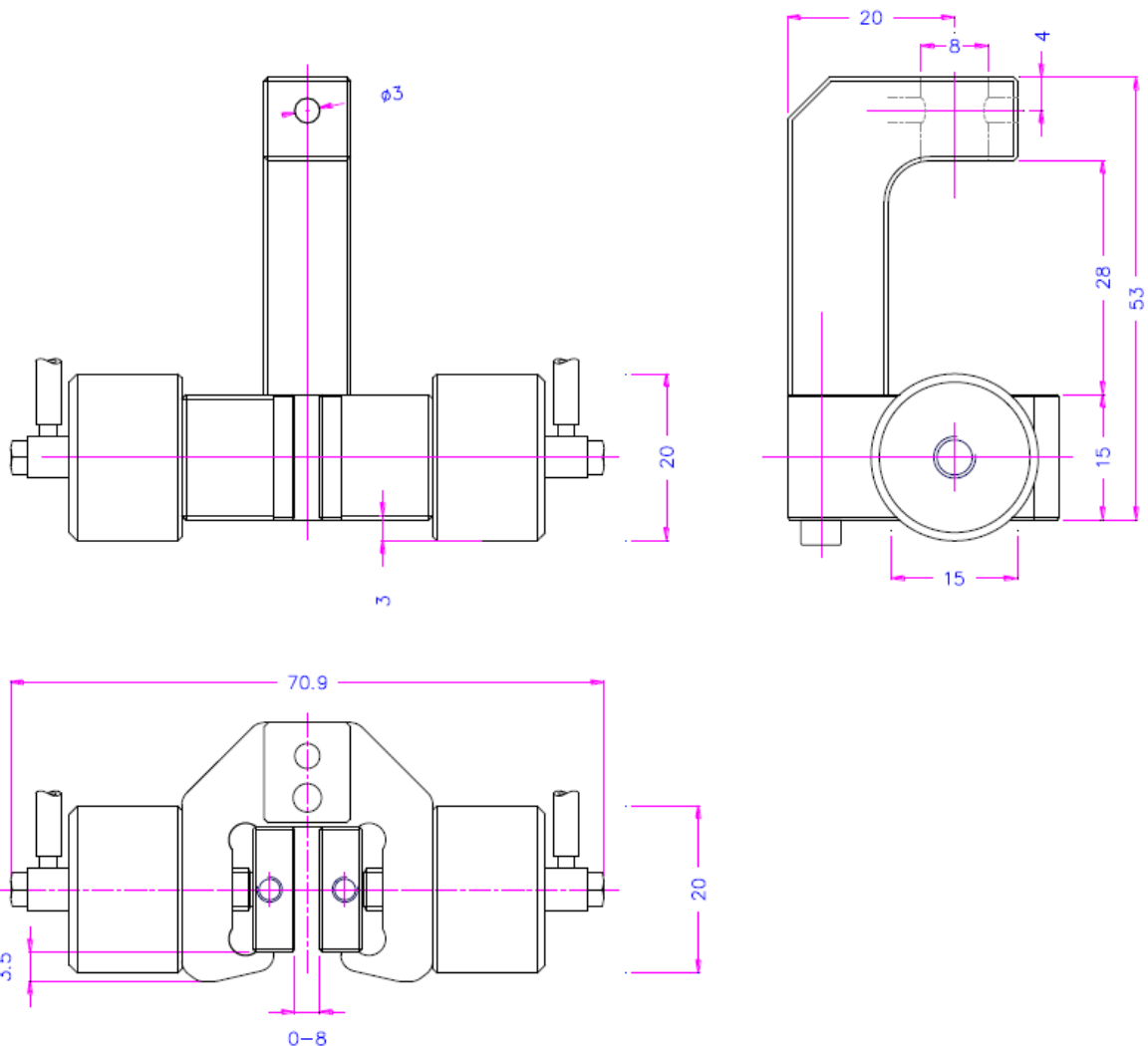
Ultralight Pneumatic Grips 100 N "MDN/0.1-V series"

2 jaws are supplied, including 4 jaws with rough face surfaces (pyramids)

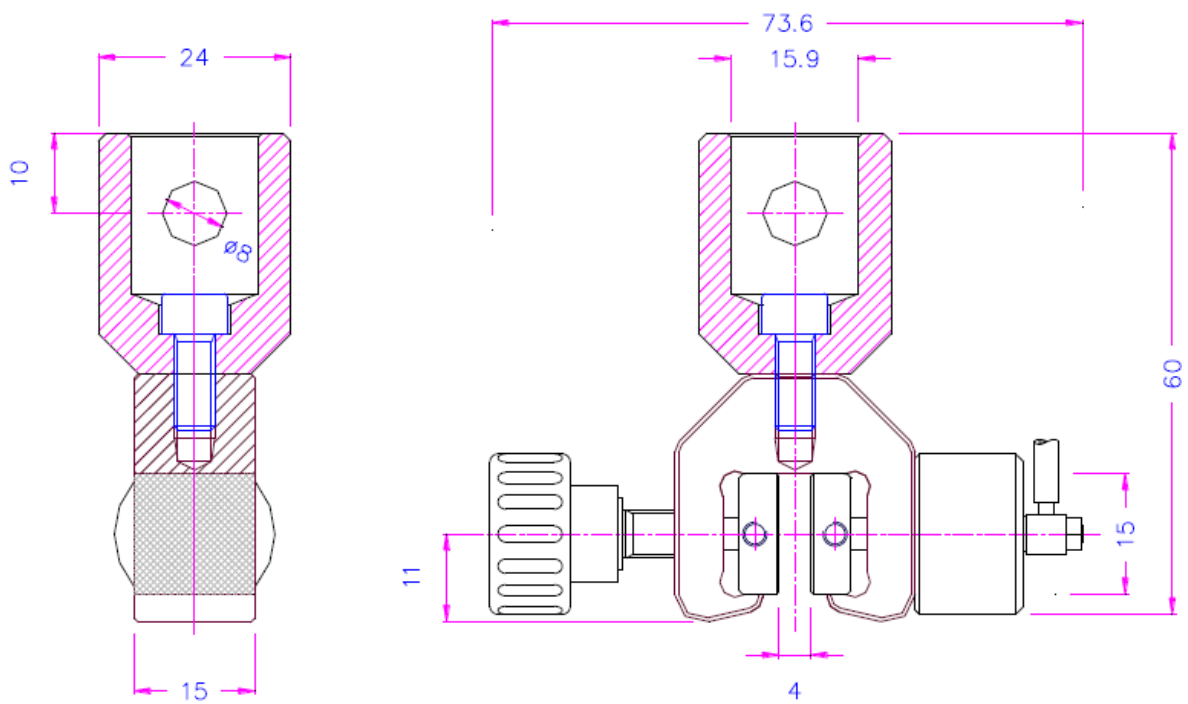
MODEL	MINI MDN/0.1-V-Ko (1 piston)
• Load capacity:	100 N
• Clamping force:	140 N (at 7 Bar)
• Jaw clamping surface:	15 x 15 mm
• Jaw opening:	0-8 mm (depending on the jaw type)
• Female adapter:	8 mm cup and 3 mm pin
• Body:	Anodized Aluminium
• Jaws:	Hardened Steel 58 HRC
• Temperature range:	0... + 70 ° C Other ranges on request
• Weight per grip:	73 g (jaws included)
• Scope of supply:	1 pair (with pyramid jaws)



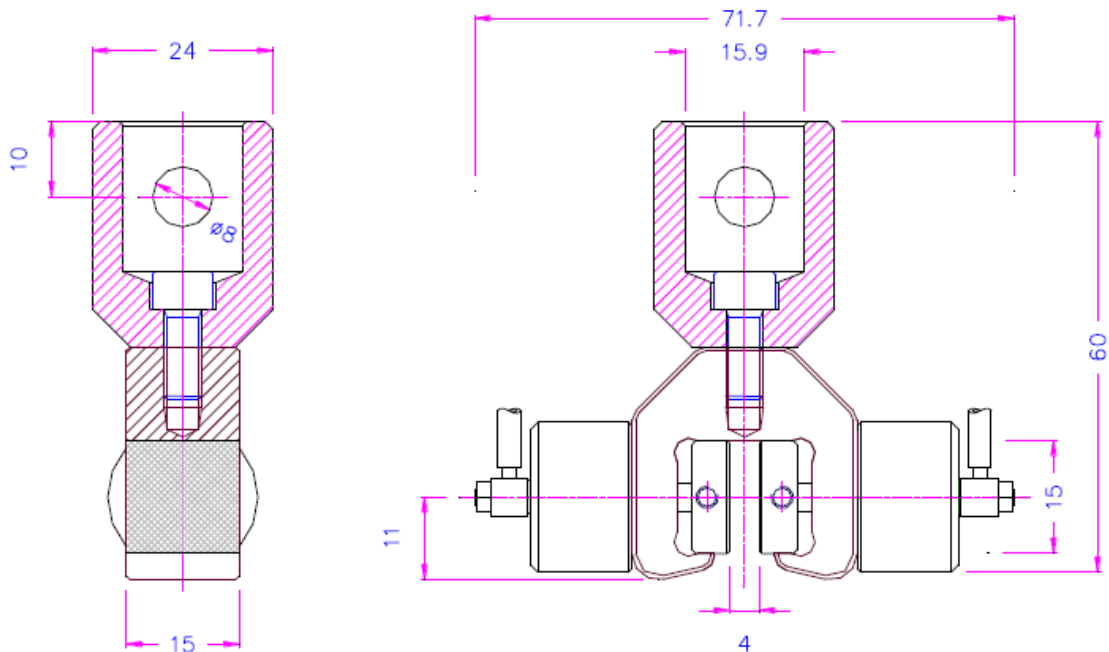
MODEL	MINI MDN/0.1-V-2Ko (2 pistons)
• Load capacity:	100 N
• Clamping force:	140 N (at 7 Bar)
• Jaw clamping surface:	15 x 15 mm
• Jaw opening:	0-8 mm (depending on the jaw type)
• Female adapter:	8 mm cup and 3 mm pin
• Body:	Anodized Aluminium
• Jaws:	Hardened Steel 58 HRC
• Temperature range:	0... + 70 °C Other ranges on request
• Weight per grip:	87 g (jaws included)
• Scope of supply:	1 pair (including pyramid jaws)



MODEL	MINI MDNs/0.1-V-Ko (1 piston)
• Load capacity:	100 N
• Clamping force:	140 N (at 7 Bar)
• Jaw clamping surface:	15 x 15 mm
• Jaw opening:	0-8 mm (depending on the jaw type)
• Acoplamiento:	M5 thread Other couplings on request
• Body:	Anodized Aluminium
• Jaws:	Hardened Steel 58 HRC
• Temperature range:	0... +70 ° C Further ranges on request
• Weight per grip:	56g (82 g with adapter of 15,9mm)
• Scope of supply:	1 pair (including pyramid jaws)



MODEL	MINI MDNs/0.1-V-2Ko (2 pistons)
• Load capacity:	100 N
• Clamping force:	140 N (at 7 Bar)
• Jaw clamping surface:	15 x 15 mm
• Jaw opening:	0-8 mm (depending on the jaw type)
• Acoplamiento:	M5 thread Other couplings on request
• Body:	Anodized Aluminium
• Jaws:	Hardened Steel 58 HRC
• Temperature range:	0... + 70 ° C Further ranges on request
• Weight per grip:	72g (97 g with adapter of 15,9mm)
• Scope of supply:	1 pair (including pyramid jaws)



Jaws for the MDN/0.1-Ko and MDN/0.1-2Ko Grips: the supply of 1 set = 4 jaws

Model	Surface finish	Clamping surface	Jaws opening	Weight per pair
MDM/0.1-B	Blank jaws	15x15 mm	0-8 mm	14 g
MDM/0.1-BG	Rubber jaws	15x15 mm	0-6 mm	16 g
MDM/0.1-BP	Pyramid jaws	15x15 mm	0-8 mm	14 g



MDM/0,1-B

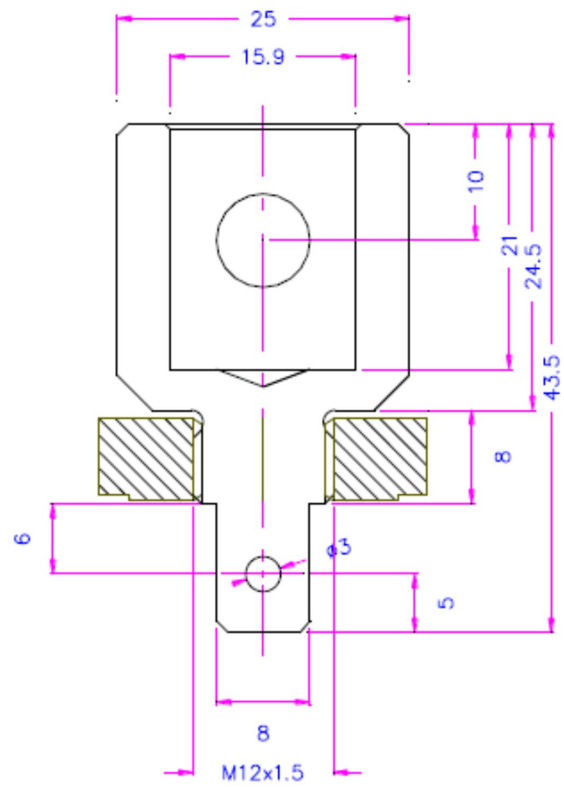


MDM/0,1-BG



MDM/0,1-BP

Adapter for mini grips MDN/0.1-V-Ko



PNEUMATIC ACCESSORIES:

UN205-1 Foot pedals

None-locking: The grip jaws open by pressing the foot pedal and close after removing the foot from the pedal.

Scope of delivery: 1 pair of foot switches including tubes and fittings


UN205-2 Foot pedal

With locking function: The grip jaws open by pressing the foot pedal and remain opened after removing the foot from the pedal. The jaws close by pressing the pedal one more time.

Scope of delivery: 1 pair of foot switches including tubes and fittings


UN205-.+PR16bar Pressure regulator

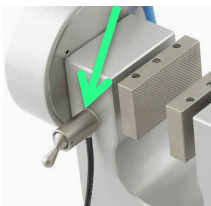
Optional for UN205-1 o UN-205-2

To adjust air pressure: 1-16 bar


UN205-3 Hand switches

With locking function: The jaws of the grip close by pulling the handle and remain closed. The jaws open by pushing the handle back.

Scope of delivery: 1 unit of hand switches including tubes and fittings


UN205-4-M5 Handheld Micro-Switches

Pneumatic manual microswitches, tubes and fittings, M5 pneumatic connection

With lockout feature: Manual switches mount directly to handles (1/8" couplings only), 3/2 directional valve. Only for single action rods with spring inside.

Scope of supply: 2 manual switches including tubes and accessories


UN216 Silent compressor for laboratories, oil-lubricated, with pressure reducer

Max pressure 16 bar; 230 V/50 HZ; noise level: 38 dB(A)

Motor: 0.13 kW; displacement: 17 l/min; tank size 3.5 l Dimensions: 340x290x340 mm (L x W x H); weight 18 kg

Different voltages on demand