

## Hydraulic Grips MHC/250 WEDGE type

### MHC/250 (250 kN) WEDGE type Hydraulic Grips

**Very competitive**  
for steel test pieces up to 30mm

600 kN Clamping force  
**250 kN for vertical force**

Vertical hydraulic simple cylinder

Weight of each Grip: 100kg

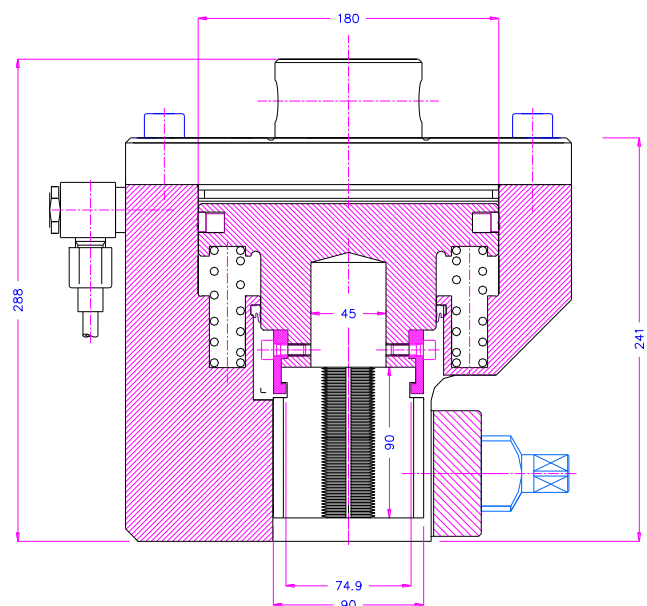
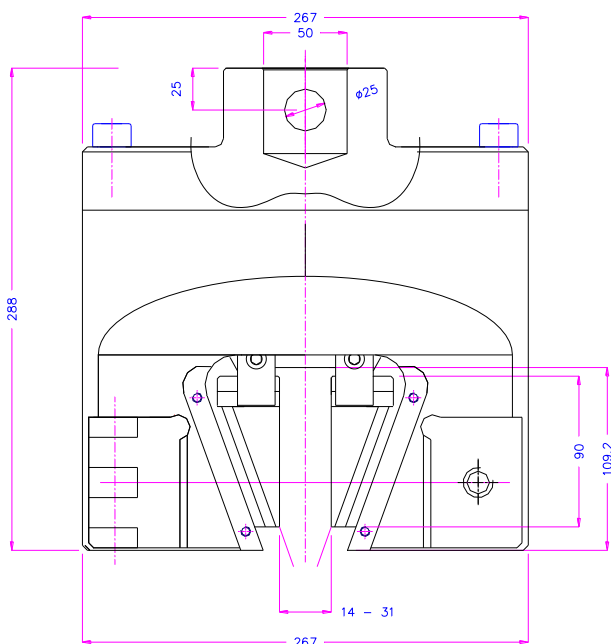


**The closing of the wedge-type jaws makes a large axial preload in the machine direction and must lead to zero when the second grip is closed door closed and must be closed when the load is on in order to protect the grip.**

Clamping surface 70 x 90mm  
1 set = 4 jaws hardened 58 HRC

Part Number	Surface	Keeping size H x B	Opening
MHC/250-BP10	Pyramid jaws	70 x 90mm	0 - 10 mm
MHC/250-BP20	Pyramid jaws	70 x 90mm	10 - 20 mm
MHC/250-BV15	V-Jaws	70mm	5 - 15 mm Ø
MHC/250-BV20	V-Jaws	70mm	10 - 20 mm
MHC/250-BV30	V-Jaws	70mm	20 - 30 mm

**Scope of delivery jaws 1 Set** = 4 jaws - Other dimensions on request





**MHC/250**

**Accessories:**



**UH135-P2**

Air hydraulic pump  
Max pressure: 350 bar, pressure ratio air -hydraulic 1:61  
2 valves for separate switching of the grips (opening, closing)  
Remote control with 2 switches; ~220V ; 0.1 A  
Dimensions LxWxH: 315mm x 250mm x 500mm); weight ~25 kg



**UH135-P2-G-a**

Air hydraulic pump similar to UH135-P2 including:  
- Housing for noise reduction  
- Analogue pressure transducer: analogue signal 1 -10 V to adjust the clamping pressure from 40 to 400 bar  
Dimensions LxWxH: 720mm x 360mm x 630mm; weight: ~38 kg



**UH135-P2-2-G-a**

Air hydraulic pump similar to UH135-P2 including:  
- 4 valves to lock the jaws at any required position  
- Housing for noise reduction  
- Analogue pressure transducer: analogue signal 1 -10 V to adjust the clamping pressure from 40 to 400 bar  
Dimensions LxWxH: 720mm x 360mm x 630mm; weight: ~50 kg