

PUSH-OUT TEST EXAMPLES

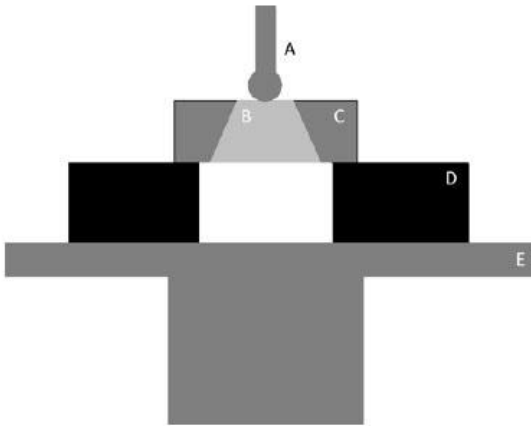
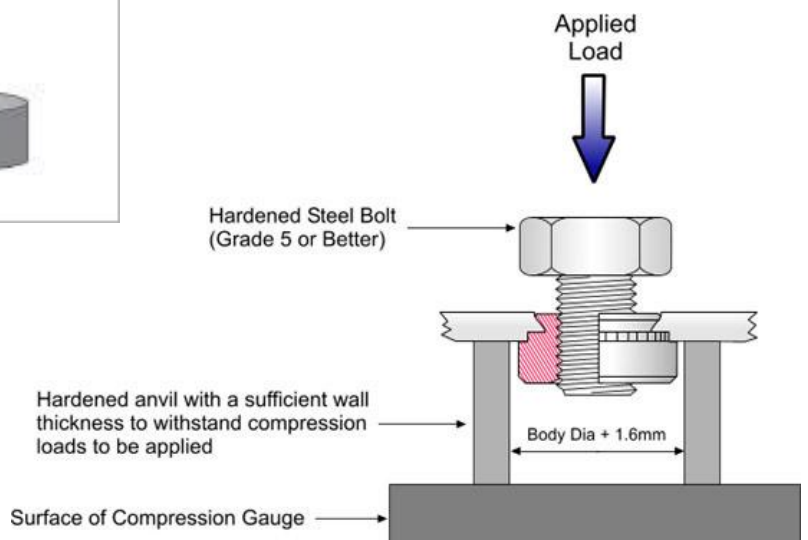
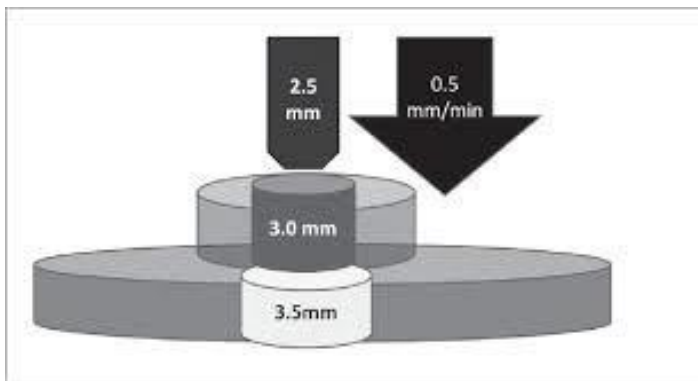
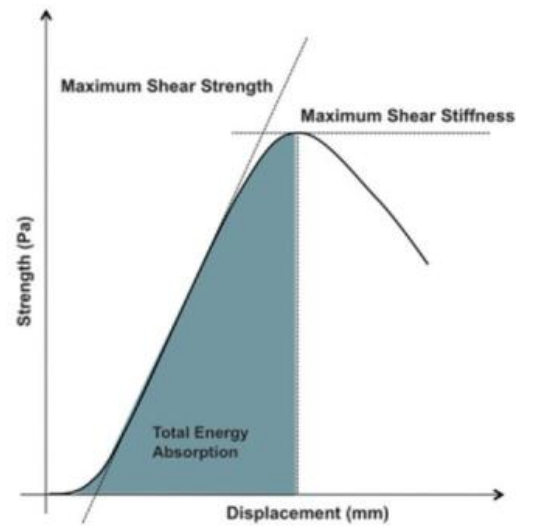
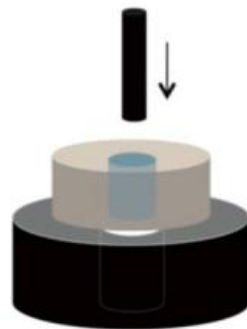
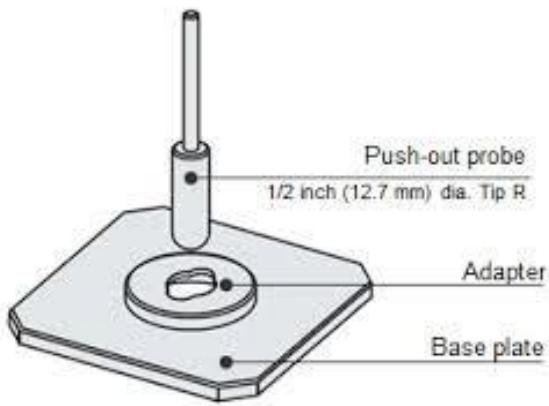
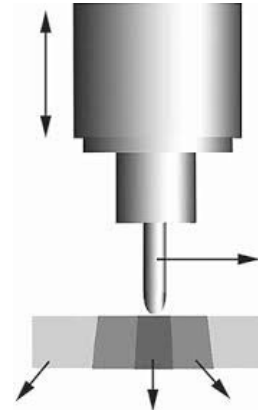


Figure 2. Schematic illustration of the metallic mold for push-out test. A: Sphere-shaped rod; B: Specimen; C: Metallic mold; D: Acrylic resin apparatus; E: Universal testing machine.



PUSH-OUT TEST EXAMPLES

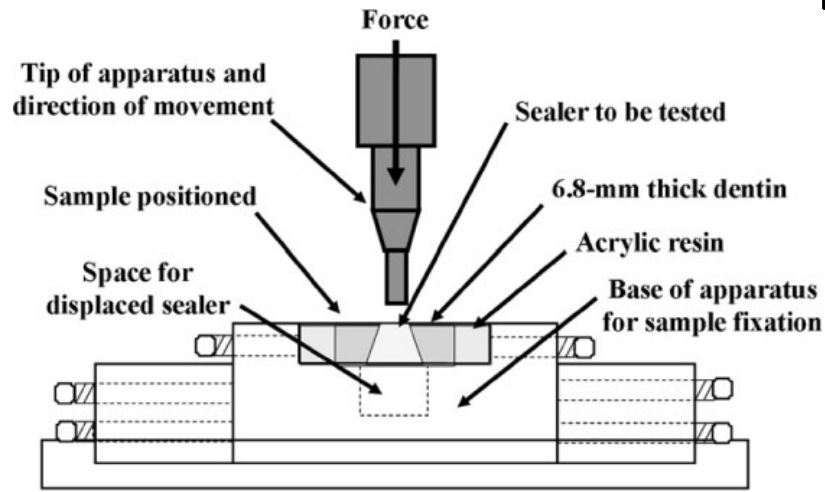


FIGURE 1- Schematic drawing of the push-out test

