

## German Wheel Peel Fixture 90° DIN 53543

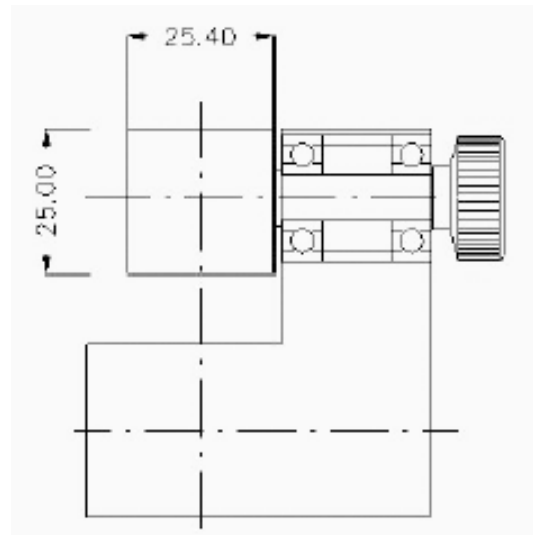
**PR90°**

Simple rollers for Adhesion tests Adhesive Tapes unrolling at 90° The rollers allow the coupling of rolls of adhesive tapes to test and determine the adhesion force at 90°, unrolling on itself in a Dynamometer at a certain speed.

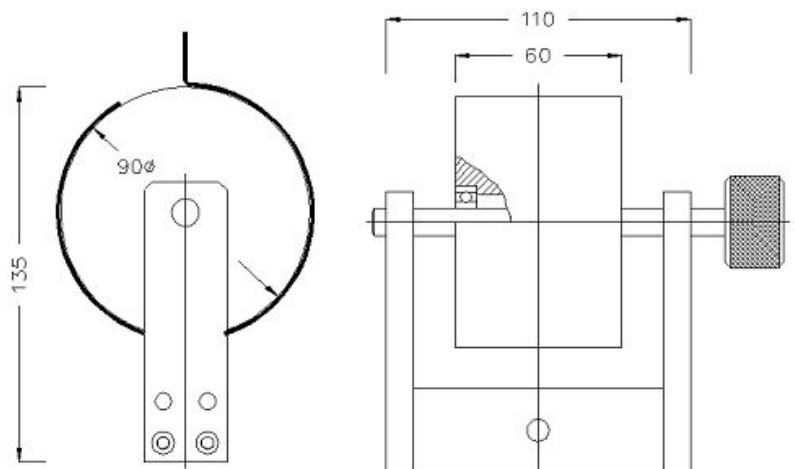
PR90°/25	Peeling Disk	25 mm de Ø	Capacity	10 kN
PR90°/90	Peeling Disk	90 mm de Ø	Capacity	10 kN
PR90°/152	Peeling Disk	152 mm de Ø	Capacity	10 kN
PR90°/90+KL	Peeling subjection disc	90 mm de Ø	Capacity	10 kN

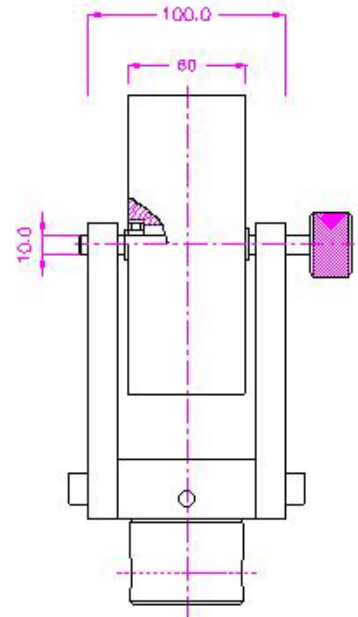
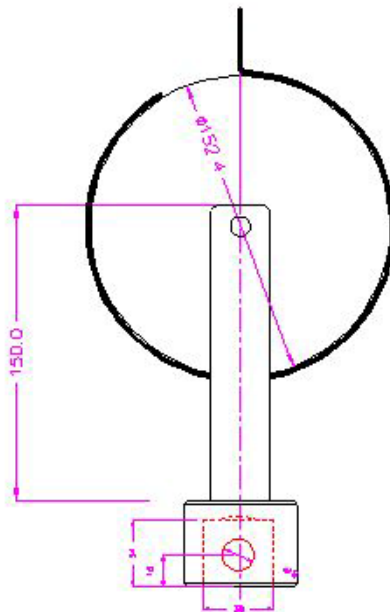


**PR90°/25**



**PR90°/90**





**PR90°/152**



**PR90°/152-g**

All specifications subject to possible changes without prior notice.