

Self-aligning Compression Plates PCA.r Circulars

Self-aligning and fixable platen.

Spherically seating - the platen adjusts to the specimen. It is also possible to fix the platen at the required position.

PCA.r/k: for couplings Ø 12 – 25 mm

PCA.r/g: for couplings Ø 30 - 40 mm

- Applicable for metal specimens, concrete etc
- Hardened steel 58 HRC, phosphate coating
- Temperature range: 0°C - +280°C
- Nickel plated: -70°C - +280 °C (on request)

PCA.r/i: for couplings up to Ø 8 mm

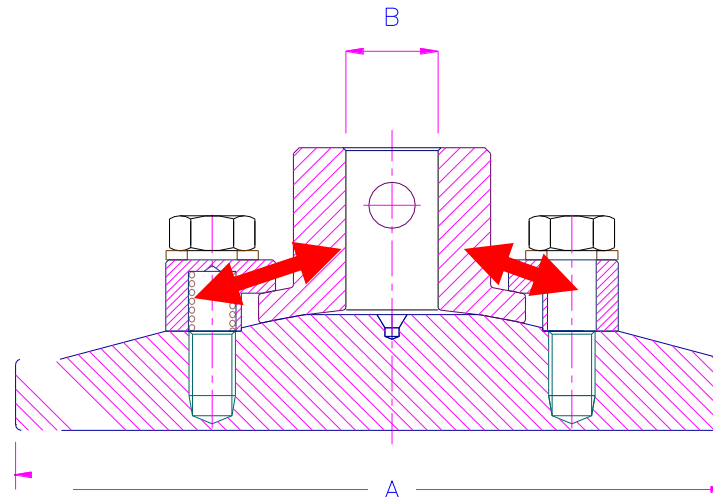
- For low weight specimens (packaging material etc)
- Aluminum, anodized
- Temperature range: -70°C - +180°C

Ordering Information

Scope of delivery: 1 platen



PCA.r/i for couplings up to 8 mm Ø		
Item number	Diameter	Weight
PCA.r/i-56	56 mm	~ 60 gram
PCA.r/k for couplings 12 - 25 mm Ø		
Item number	Diameter	Weight
PCA.r/k-56	56 mm	~1.27kg
PCA.r/k-96	96 mm	~1.4kg
PCA.r/k-116	116 mm	~1.7kg
PCA.r/k-156	246 mm	~2.7kg
PCA.r/g for couplings 30 - 40 mm Ø		
Item number	Diameter	Weight
PCA.r/g-056	56 mm	~5.2kg
PCA.r/g-156	156 mm	~5.1kg
PCA.r/g-196	196 mm	~6.4kg



Other dimensions on request

The max. capacity depends on the size of coupling (B).

Description of Item Number PCA.r/-A-B

A Diameter of platen [mm] 56, 96, 116, 156, 196

B Adapter/ Coupling e.g.

PCA.r/i: [mm] 8 etc

PCA.r/k: [mm] 15.9, 20 - male [mm] 20, 22 etc

PCA.r/g: [mm] 30, 31.8, 32, 36, 40 - male [mm] 31.7 etc

The rigid platen PC.r can be combined with PCA.r Self-aligning platens.

Ordering Information for the combination rigid + self adjusting platen: 0.5 pair PC.r + 1x PCA



PCA.ri-56



PCA.r/k-116



PCA.rg-56



PCA.r/g-156-Am317



PCA.r/k-116-NI
Temperature Range -70°C-280°



PCA.r/k-296



PCA.r/w-196-60-Ni
Adapter size 60 Surface Nickel



PCA.r/g-156-Am317
Adapter male 31.7mm diameter



PCA.r/196-Af60 PCA.r/w-196-Af60



PCA.r/g-396x596



PCA.r/k-D200-L6-20-AL



PCA.r/s-136



PCA.r/g-150x180



PCA.r/k-114x114-AL



PCA.r/i-100x100

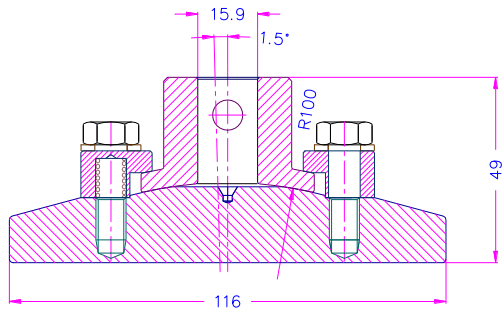


PCA.r/w-196-60+THS464-60-175



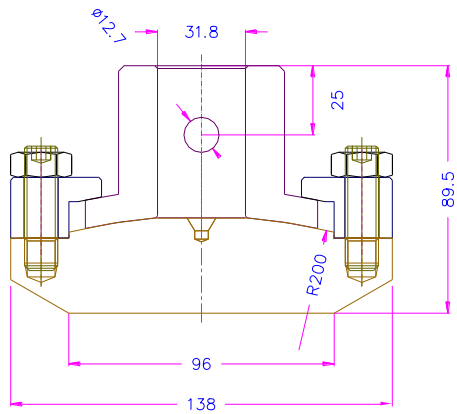
PC.c/250+PCA.r/k-Af159

PCA.r/k-116-Af159

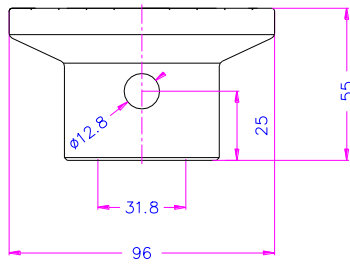


PCA.r/k-116-Af159

PCA.r/g-96-Af318

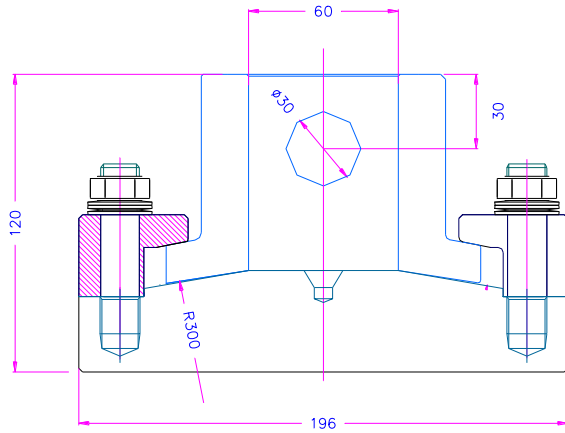


PCA.r/g-96-138



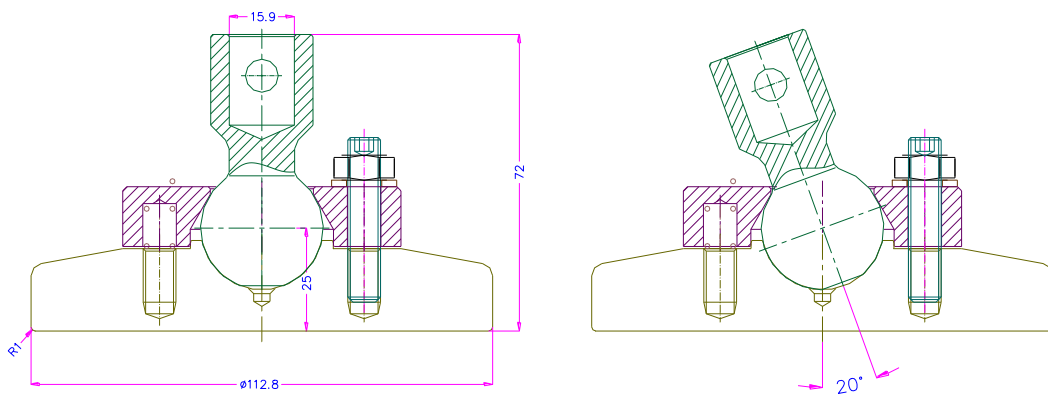
PC.r/96-318

PCA.r/W-196-Af60





PCA.r/w-196-Af60 +



PCA.r/b-112.8-Af159-DIN 53579-2

All specifications subject to possible changes without prior notice