

Mordazas Neumáticas MDN/2,6 (2,6 kN)

Pneumatic grips

MDN/2.6+Ko - MDN/2.6+2Ko - MDN/2.6-H200+Ko - MDN/2-6-H200+2Ko

Ordering information

MDN/2.6 are supplied in pairs but can also be ordered as single grip (0.5 pair). Grips and jaws (1 set = 4 jaws) need to be ordered separately.

Jaws with other dimensions and surface coatings on request. Also as non pneumatic vise grip available.

Item No.	MDN/2.5+Ko (1 pneumatic piston)	MDN/2.6+2Ko (2 pneumatic pistons)
Clamping force	2.6 kN	2.6 kN
Temperature range*	0°C to +70°C *	0°C to +70°C *
Min. specimen length	85 mm	120 mm
Max. specimen width	50 mm	50 mm
Body	Aluminum	Aluminum
Pneumatic connection	M5	M5
Weight	1.34kg	1.71kg

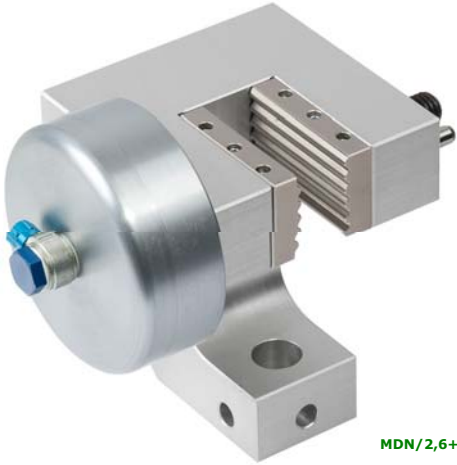
* other temperature ranges on request

Jaws for MDN/2.6+Ko:

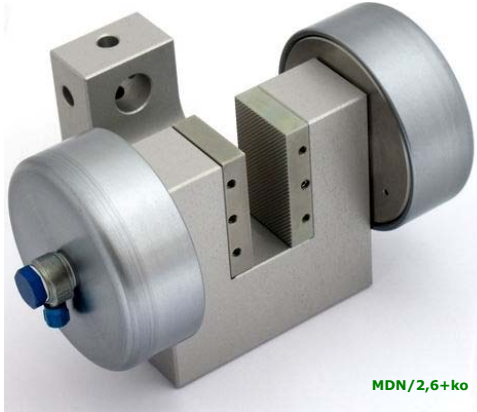
Item No.	Clamping surface	Opening	Weight per pair
MDN/2.6-B	Blank jaws	0 - 15mm	0.22kg
MDN/2.6-BG	Rubber jaws	0 - 13mm	0.22kg
MDN/2.6-BP	Pyramid jaws	0 - 15mm	0.21kg
MDN/2.6-BV2	V-ja	Ø 2 - 15 mm	0.22kg
MDN/2.6-BV5	V-ja	Ø 5 - 11 mm	0.26kg
MDN/2.6-BW	Wave jaws	0 - 15mm	0.20kg
MDN/2.6-BD	Diamond jaws	0 - 15mm	0.22kg

Inset jaws for MDN/2.6+Ko: Quick change system Inset jaws require carriers (MDN/2.6-GT)

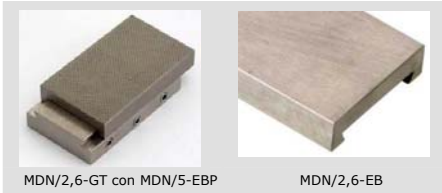
Item No.	Clamping surface	Opening	Weight per pair
MDN/2.6-GT	Carrier	-	0.18kg
MDN/2.6-EB	Blank inset jaws	0 - 5mm	0.14kg
MDN/2.6-EBG	Rubber inset jaws	0 - 3mm	0.14kg
MDN/2.6-EBP	Pyramid inset jaws	0 - 5mm	0.13kg
MDN/2.6-EBD	Diamond inset jaws	0 - 5mm	0.14kg



MDN/2,6+ko

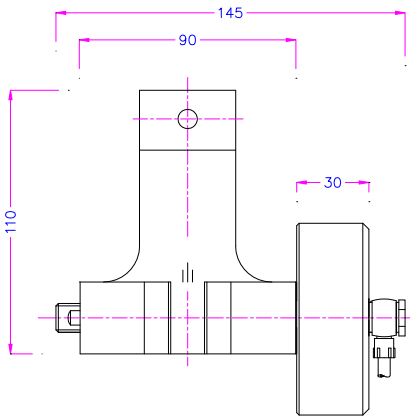


MDN/2,6+ko

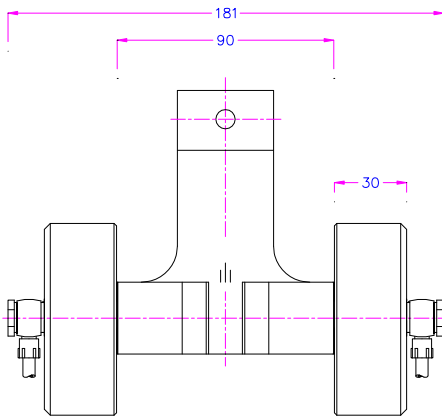


MDN/2,6-GT con MDN/5-EBP

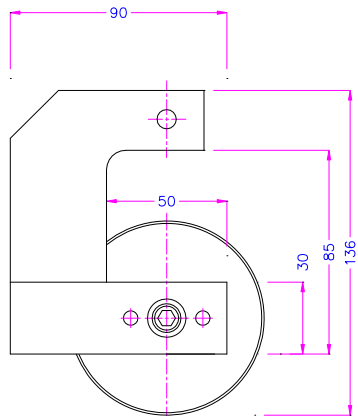
MDN/2,6-EB



MDN/2,6+ko



MDN/2,6+2ko



Applications - Pneumatic grips use air pressure to actuate cylinders to provide constant clamp loads to test specimens of a wide variety. They are best suited to the following mechanical testing needs:

- High volume tests where opening and closing actions are repetitive for operators.
- Sensitive or fragile test samples where clamping can cause failure or where multiple tests are performed. Many times, it can be desirable to test all samples under constant clamping conditions.
- High elongation tests where the samples shrink as they are pulled. If the sample stretches (e.g. plastics and rubber), the sample can pull out of mechanical action clamps. Air cylinders can adjust to the changing conditions and hold -- regardless of sample deformation.

Testing materials such as

- Textiles & Geotextiles
- Sheets, Thin Films, Foils - Flat samples
- Thread, wire, rope – Round shapes
- Soft materials
- Lap Shear samples
- Soft Tissues & Medical Devices
- Peel and adhesion tests
- Films, polymers & woven fabrics

General Notes

- Clamp Force Ratings are based on 7 bar (100 psi) air pressure
- Standard grips may be used in chambers from -40C to 70C. Optional seals are available to increase the range to 190C and 280C.
- Anti-corrosion coatings available on all grips and recommended in low temperature applications to protect grip from corrosion damage.

Air Grip Accessories

Interchangeable Jaws or Faces are available on all grips. All jaws are hardened steel (excluding rubber faced jaws or unless noted). Non-standard surfaces and sizes are made to order.

Blank Jaws – for smooth surfaced materials.

Pyramid (serrated) Jaws – also called 'pyramid', 'diamond cut' or 'knurled' - for materials requiring a 'bite' such as paper, aluminum, copper, board, steel, wire and soft steels.

Rubber Faced Jaws – for relatively fragile samples weakened by pinching at the edge of the grip face - monofilaments, wire, film, single fibers, and aluminum.

Diamond Jaws – aggressive surface for soft steels, rigid plastic and wood.

Grab Tests – for grabbing textiles, leather and fabrics per ASTM D2208, D5034, D1683 and D4632.

Wave Jaws – provide a deeper bite (5 mm typical) for testing 'slippery' test samples including tissues, textiles, and fabrics.

V-Jaws – round test bars, wire, tubing and rod.

Line Contact – testing thin films (ASTM D882) and foils where a gage section is important.

Pneumatic Grips MDN/2,6 (2,6 kN)



Item No.	MDN/2.6-H200+Ko (1 pneumatic piston)	MDN2.6-H200+2Ko (2 pneumatic pistons)
Clamping force	2.6 kN	2.6 kN
Temperature range*	0°C to +70°C *	0°C to +70°C *
Min. specimen length	85 mm	120 mm
Max. specimen width	50 mm	50 mm
Body	Aluminum	Aluminum
Pneumatic connection	M5	M5
Weight	1.86kg	2.24kg

* other temperature ranges on request

Jaws for MDN/2.6-H200+Ko

Item No.	Surface	Opening**	Weight per pair
MDN/2.6-B	Blank jaws	0 - 44mm	0.22kg
MDN/2.6-BG	Rubber jaws	0 - 42mm	0.22kg
MDN/2.6-BP	Pyramid jaws	0 - 44mm	0.21kg
MDN/2.6-BV2	V-ja	Ø 2 - 41 mm	0.22kg
MDN/2.6-BV5	V-ja	Ø 5 - 41 mm	0.26kg
MDN/2.6-BW	Wave jaws	0 - 44mm	0.20kg
MDN/2.6-BD	Diamond jaws	0 - 44mm	0.22kg

Inset jaws for MDN/2.6-H200+Ko: Quick change system Inset jaws require carriers (MDN/2.-GT)

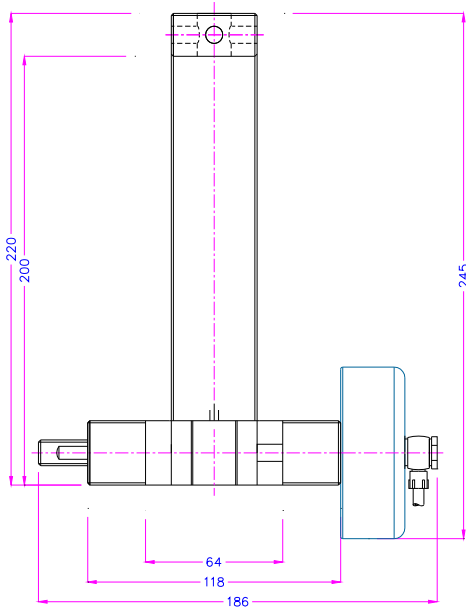
Item No.	Surface	Opening**	Weight per pair
MDN/2.6-GT	Carrier	-	0.18kg
MDN/2.6-EB	Blank inset jaws	0 - 34mm	0.14kg
MDN/2.6-EBG	Rubber inset jaws	0 - 32mm	0.14kg
MDN/2.6-EBP	Pyramid inset jaws	0 - 34mm	0.13kg
MDN/2.6-EBD	Diamond inset jaws	0 - 34mm	0.14kg

**** The pneumatic pistons of MDN/2.6-H200 are adjustable, therefore the opening width can be adjusted from 0 to 44mm (depending on the type of jaws used).**

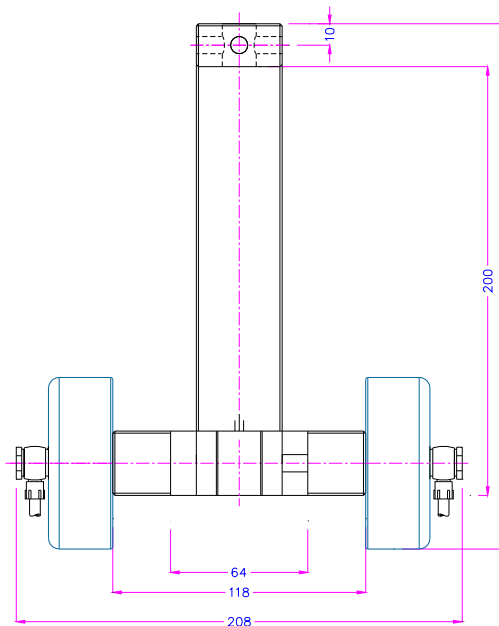
MDN/2,6-H200+Ko



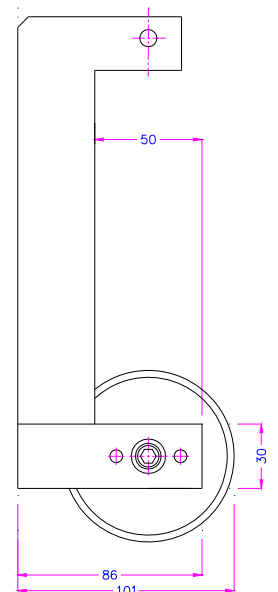
MDN/2,6-H200+2Ko



MDN/2,6H200+ko



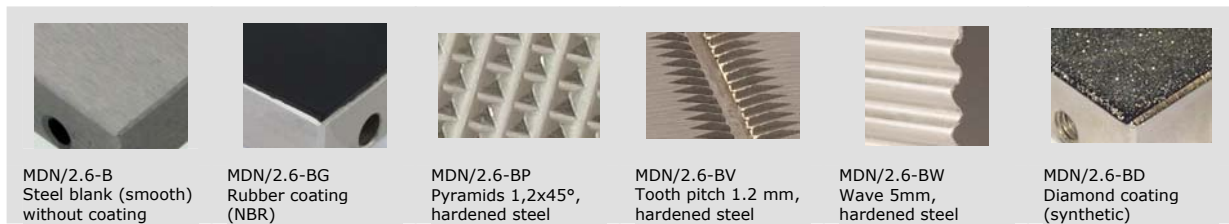
MDN/2,6H200+2ko



Examples for other version and custom built solutions



Jaws surfaces



Accessories:



UN205-1 Foot pedals

None locking: The jaws of the grip open by pressing the foot pedal and close after removing the foot from the pedal.
Scope of delivery: 1 pair of foot switches including tubes and fittings



UN205-2 Foot pedals

With locking function: The jaws of the grip open by pressing the foot pedal and remain opened after removing the foot from the pedal. The jaws close by pressing the pedal one more time.
Scope of delivery: 1 pair of foot switches including tubes and fittings



UN205-+PR Pressure Regulator

Optional for UN205-1 or UN205-2
To adjust air pressure: 1-10 bar



UN205-3 Hand switches

With locking function: The jaws of the grip close by pulling the handle and remain closed. The jaws open by pushing the handle back.
Scope of delivery: 1 unit of hand switches including tubes and fittings



UN205-4 Hand switches

With locking function (see UN205-3)
The hand switches are directly mounted at the grips. 3/2 directional valve
Scope of supply: 2 hand switches including tubes and fittings



UN216 Compressor for laboratories, oil-lubricated

Max pressure 16 bar, 230V, noise level: 38dB(A)/1m
Displacement 5 l/min, tank size 3.1 litre (0.82 gallon)
Dimensions: 340x290x340 mm (L x W x H); weight 16 kg
Different voltages available on request

All specifications subject to possible changes without prior notice