

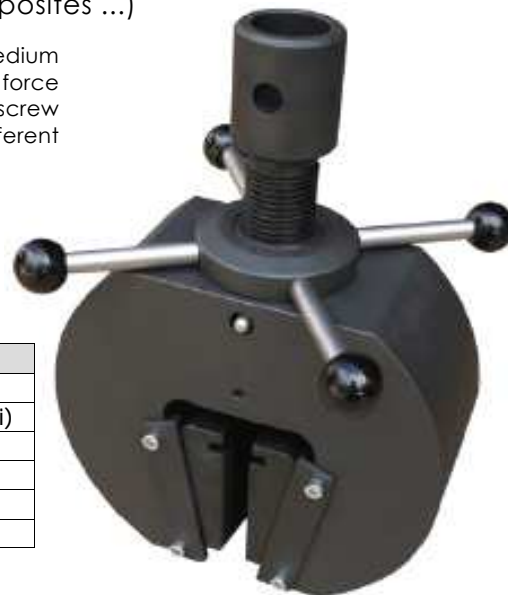
## Wedge Grips with Manual Wheel MCV/100 (100 kN)

Self-clamping Grips wedge type, easy to use and applicable for testing samples traction medium strength rigid materials (Metals, Composites ...)

Wedge grips easy to use, designed for tensile testing of metals and plastics medium strength. The grip design ensures a clamping wedge in the sample as the force increases and prevents slipping, the initial force is applied by the action of the screw driven wheel 4 handles loading and unloading of specimens. The jaws with different faces are finished in ambiables interc for different sample types and dimensions.

### Wedge Grips type 100 kN capacity

2 Grips are supplied but can be ordered 1 only (not including jaws) Jaws must be ordered separately

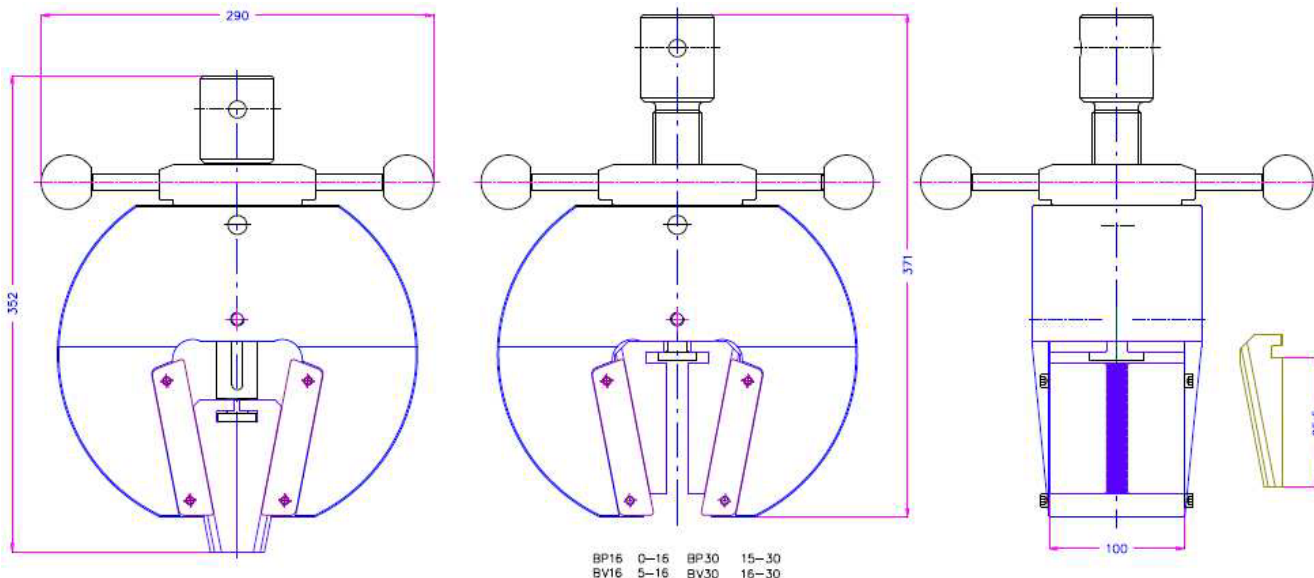


Model	MCV/100
Tensile strength	100 kN
Temperature range	0 °C a +130 °C y -80 °C hasta +280 °C (MCV/50-Ni)
Frame	Steel, coated with Manganese Phosphate
Height of Jaws min./max.	352-371 mm
Width of Jaws	290 mm
Weight of each grip	48 Kg (including jaws)

Jaws for Grips MCV/100: supply 1 set = 4 mandibulas

Model	Surface finish	Jaw srface HxW	Opening
MCV/100-BP16	Pyramid jaws 1,2X45°	95 x 100 mm	0 – 16 mm
MCV/100-BP28	Pyramid jaws 1,2X45°	95 x 100 mm	17 – 28 mm
MCV/100-BV16	V-jaws	Clamping height 52 mm	5 – 16 mm Ø
MCV/100-BV28	V-jaws	Clamping height 52 mm	17 – 28 mm Ø

Other finishes jaws, on request



**BP** - For multiple applications  
Pyramid jaws (serrated) 1.2 x 45°,  
58 HRC hardened steel



**BV** - For all type of round specimens  
Tooth pitch, 1.2 mm, a  
58 HRC hardened steel

**Flat Pyramid  
Jaws**

**V-jaws**

