

## Tensile Test Grips MCF series

Grips to perform tensile tests on Ribbons, Belts, Straps MCF2-50 / 200

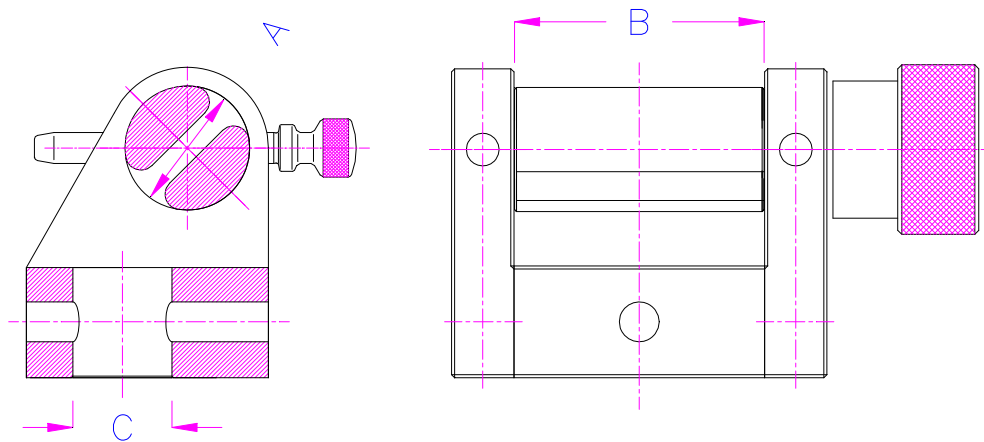
Depending on the coefficient of friction of the sample, the sample will be wrapped once or multiple times around the roller.

Temperature range: 0 a +180°C.  
Other ranges upon request



Information for orders:

The MCF series grips are supplied in pairs. However, it can be supplied in separate units



	MCF-30-80	MCF-40-80	MCF-60-80	MCF-60-100	MCF-60-120	MCF-80-120
<b>Tensile force</b>	20 kN	50 kN	100 kN	100 kN	100 kN	100 kN
<b>A: Roller diameter Ø</b>	30 mm	40 mm	60 mm	60 mm	60 mm	80 mm
<b>B: Maximum width of the sample</b>	80 mm	80 mm	80 mm	100 mm	120 mm	120 mm
<b>Max. Thickness</b>	5 mm	7 mm	11 mm	11 mm	11 mm	11 mm
<b>Min. length sample</b>	460 mm	600 mm	910 mm	910 mm	910 mm	1160 mm
<b>C: Adapter *</b>	Af159*	Af318*	Af40*	Af40*	Af40*	Af40*
<b>Weight /grip</b>	2.3 kg	4.5 kg	7.3 kg	8.1 kg	8.8 kg	15 kg

\*Other adapters upon request.

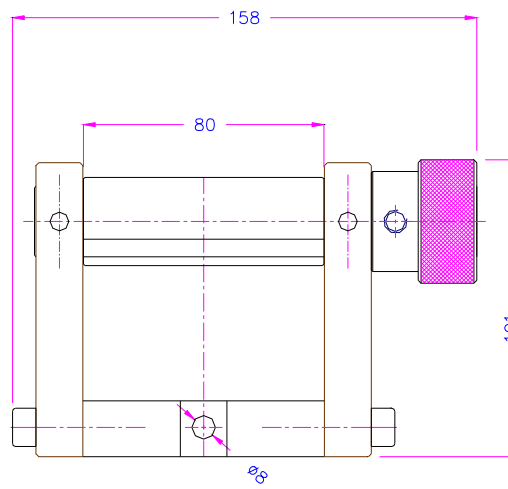
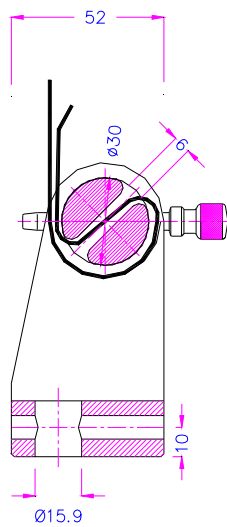
serie MCF



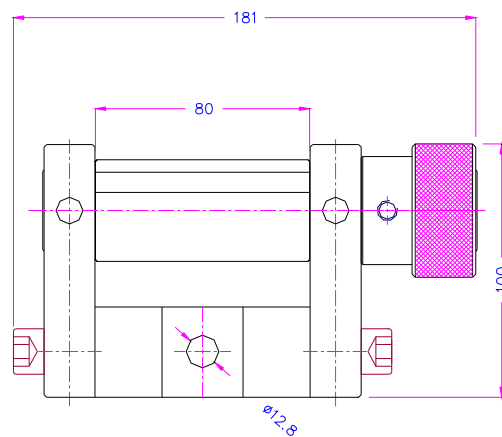
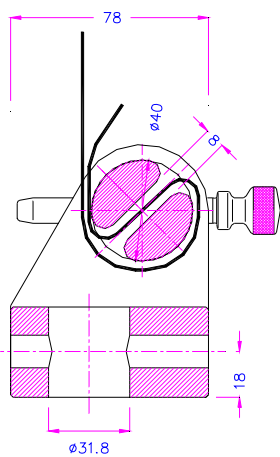
MCF-30-80



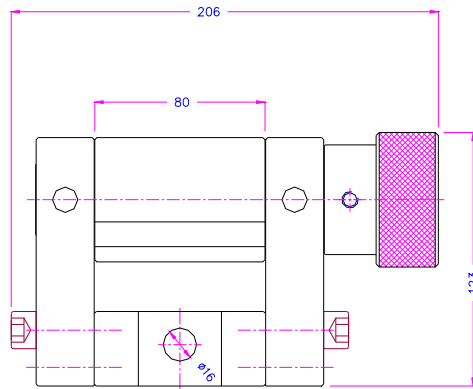
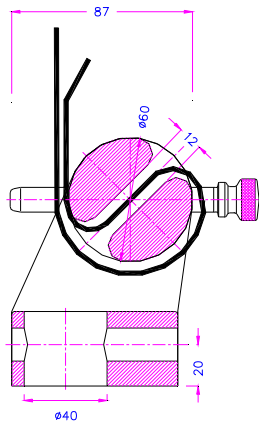
MCF-60-80



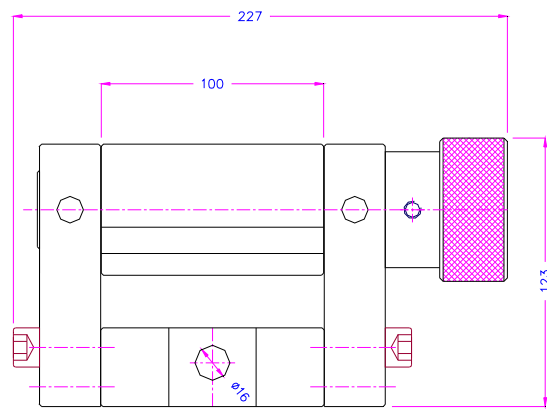
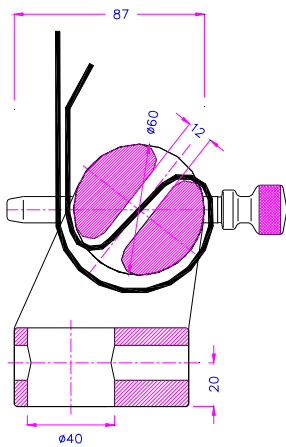
MCF-30-80



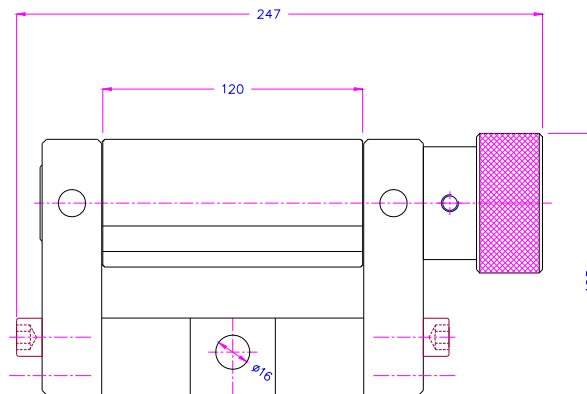
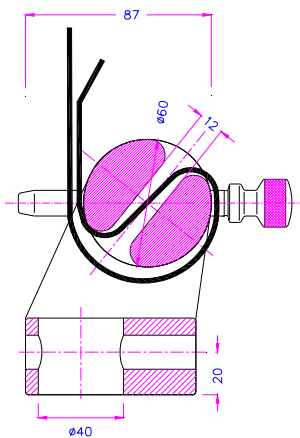
MCF-40-80



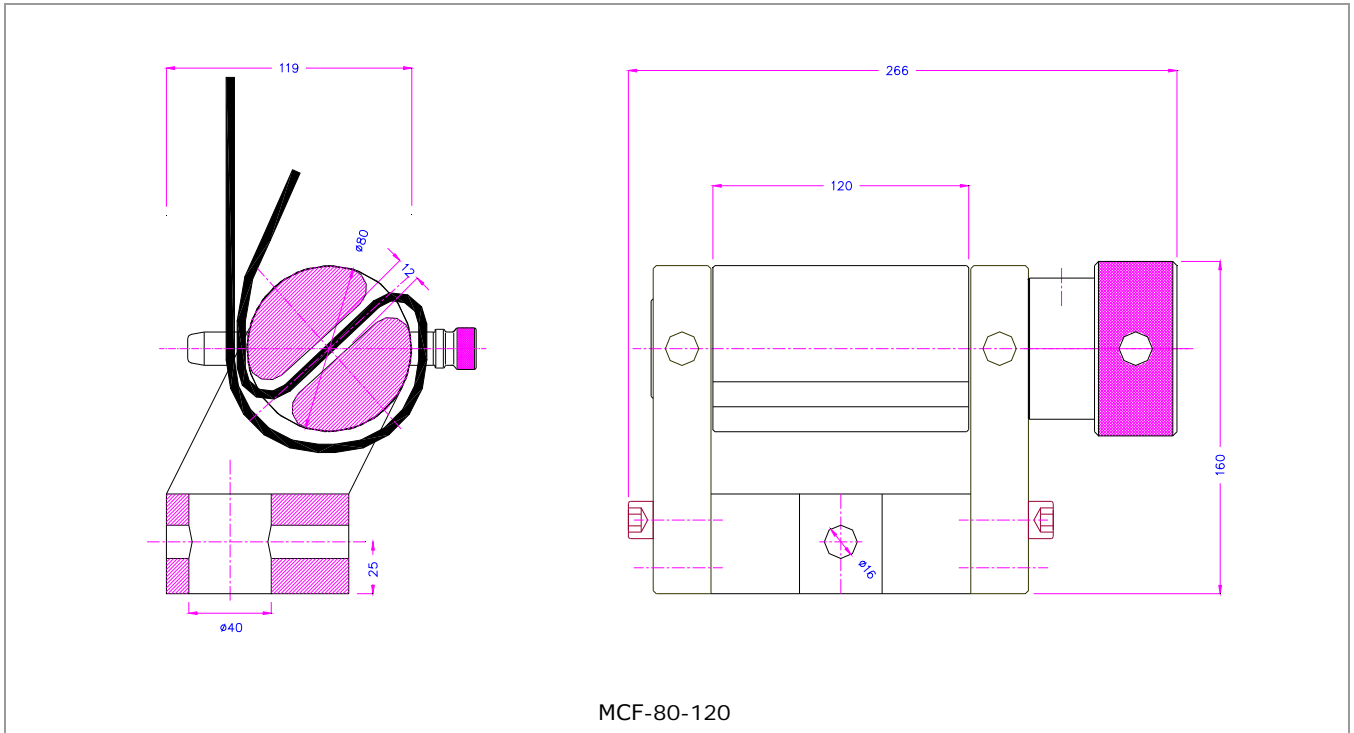
MCF-60-80



MCF-60-100







MCF-60-120

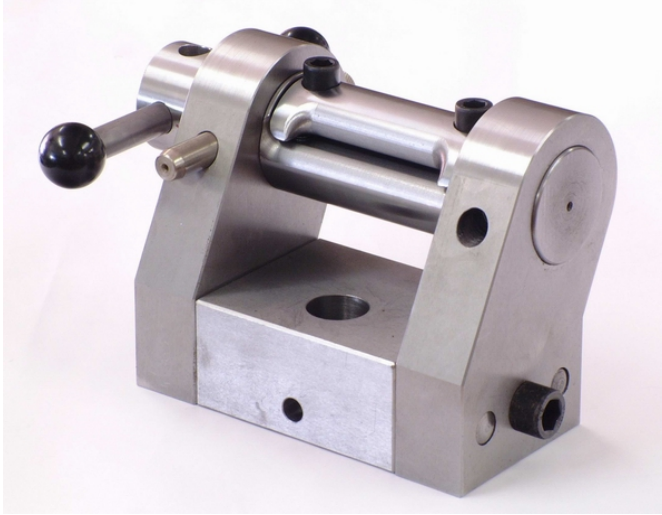


## Special versions

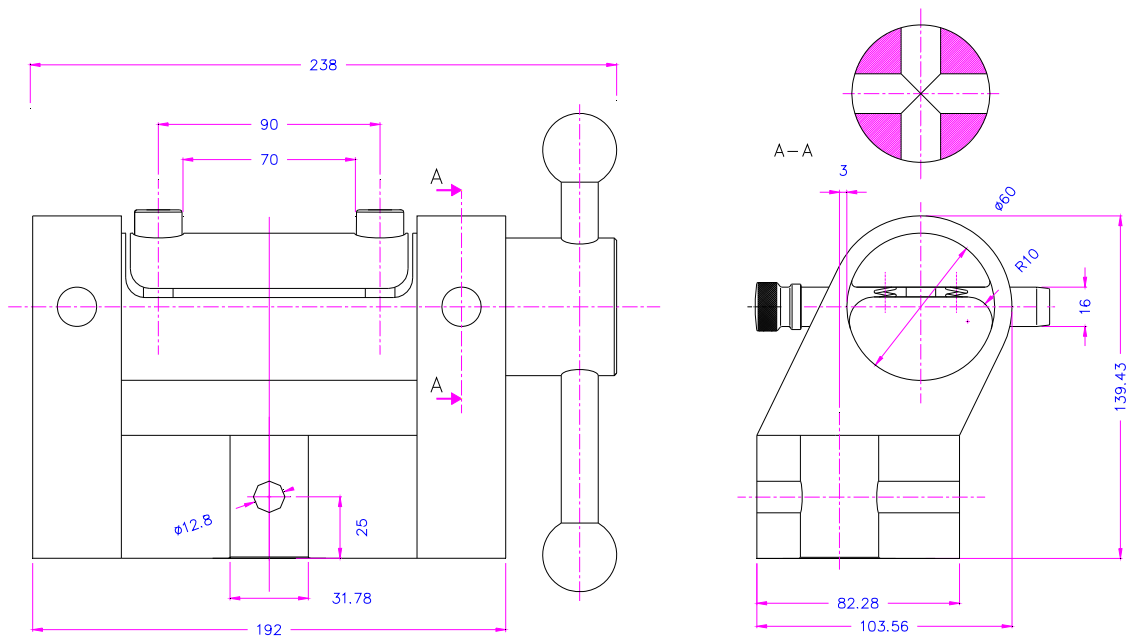
	<p><b>MCF-6-40</b></p> <p>Rodillo: 6 mm de Ø Ancho : 40 mm</p> <p>Small special version</p>		<p><b>MCF-100-80-krd</b></p> <p>Roller: 100 mm de Ø Width : 80 mm Knurled surface (-krd)</p>
	<p><b>MCF-100-80-AL</b></p> <p>Roller: 100 mm de Ø Width : 80 mm</p> <p>Aluminum</p>		<p><b>MCF-150-160</b></p> <p>Roller: 150 mm de Ø Width : 160 mm</p> <p>300 kN</p>

	<p><b>MCF-40-80</b> With Textile Ribbon</p>		<p><b>MCF-40-80</b> With plastic ribbon</p>
	<p><b>MCF-30-80</b> with plastic strip</p>		<p><b>MCF-80-120</b> with ribbons</p>

Similar versions on request MCF / TP with split drum



MCF/TP-60-80



All specifications subject to possible changes without prior notice.