

## Double roller devices for peeling tests DP2

PTo perform peel tests and determine the adhesion force in a Dynamometer at a certain speed.

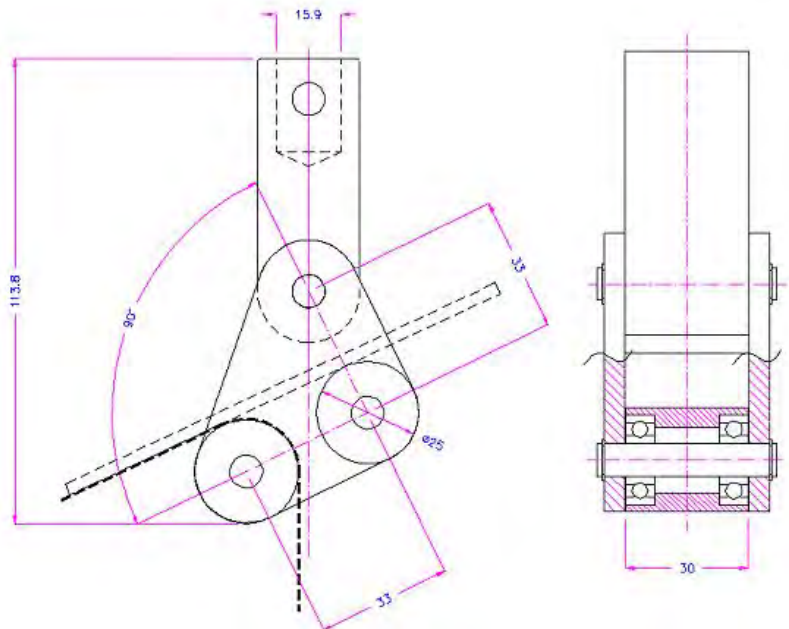
- Manufactured in anodized aluminum and steel
- Temperature ranges between 0 and + 130°C (other temperatures on request)

DP2/25	Roller 25 mm Ø and 30mm width	Capacity	10 kN
DP2/25,4	Roller 25,4 mm Ø y 25,4mm width	Capacity	10 kN
DP2/60-45°	Roller 20 mm Ø y 60mm width (45°variable)	Capacity	10 kN
DP2/60-45°	Roller 25 mm Ø v 60mm width (45°variable)	Capacity	10 kN
DP2/160-45°	Roller 20 mm Ø y 160mm width (45° variable)	Capacity	10 kN
DP2V/22-50	Roller 20 mm Ø y 58mm width	Capacity	10 kN

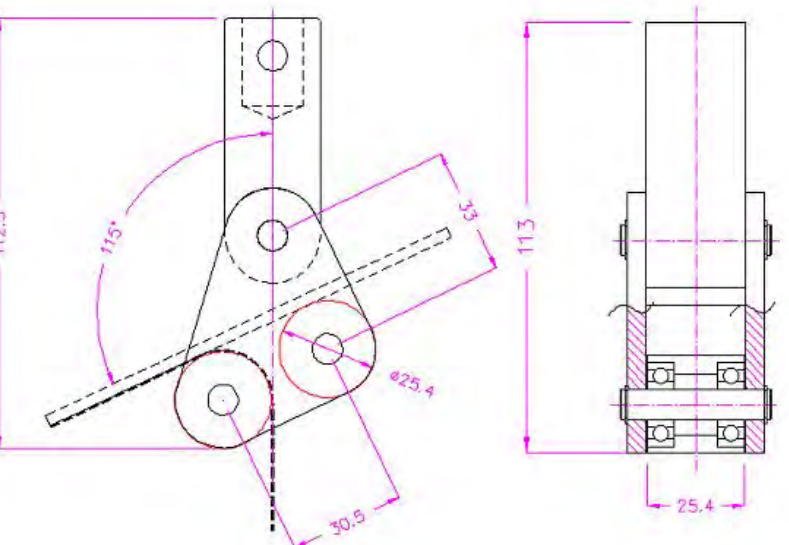


**DP2/25**

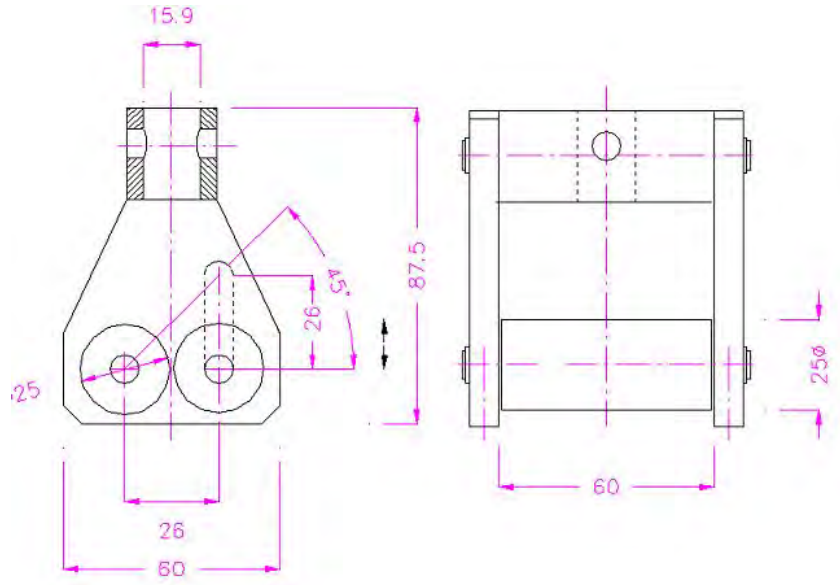
DIN 53289 - EN 1464 - ISO 4578



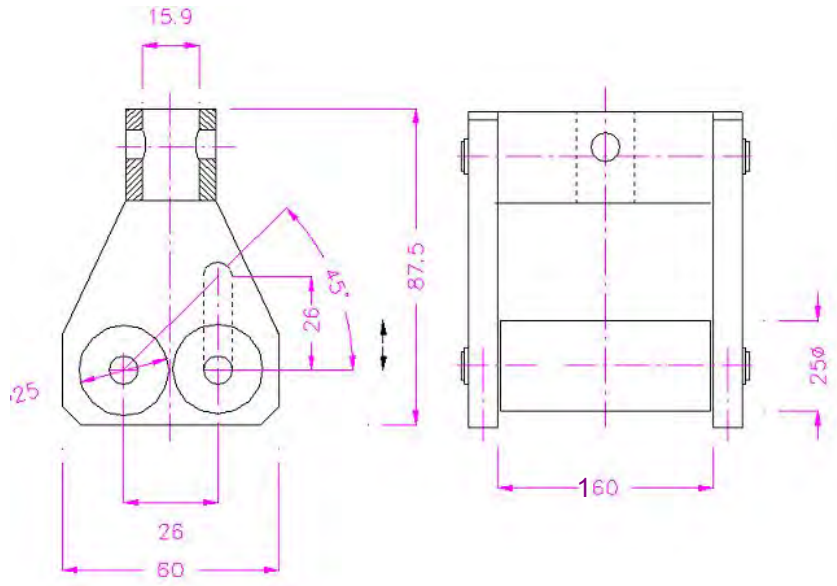
**DP2/25,4**



ASTM D 3167

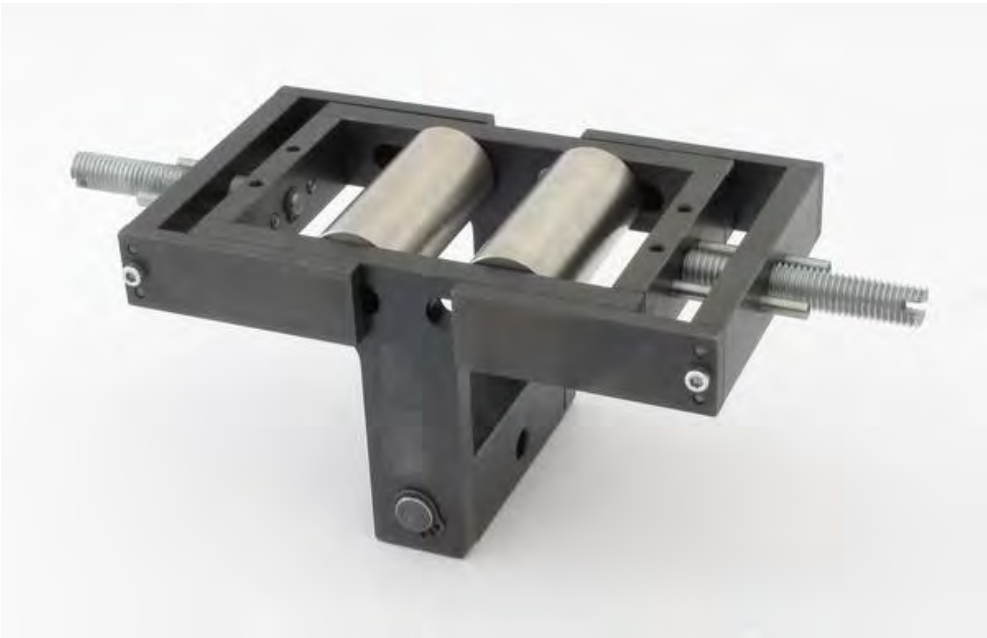


DP2/60-45      DIN EN 1464

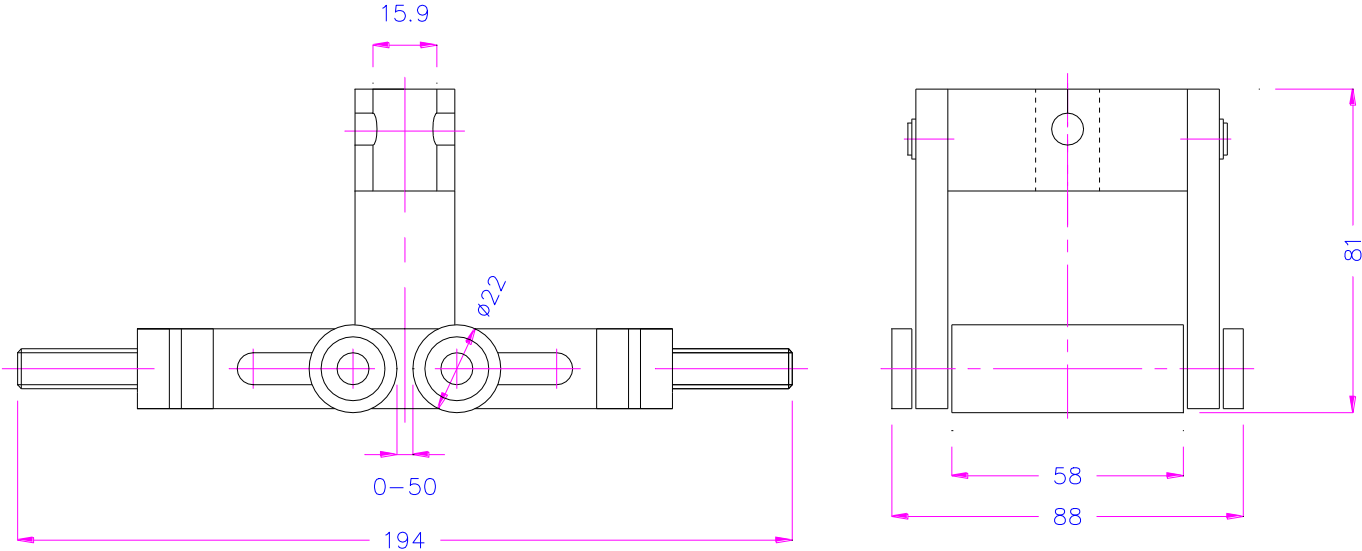


DP2/160-45°      DIN EN 1464

Peel Testing Device with distance between roller separation between 0 and 50mm



DP2V/22-50



All specifications subject to possible changes without prior notice.